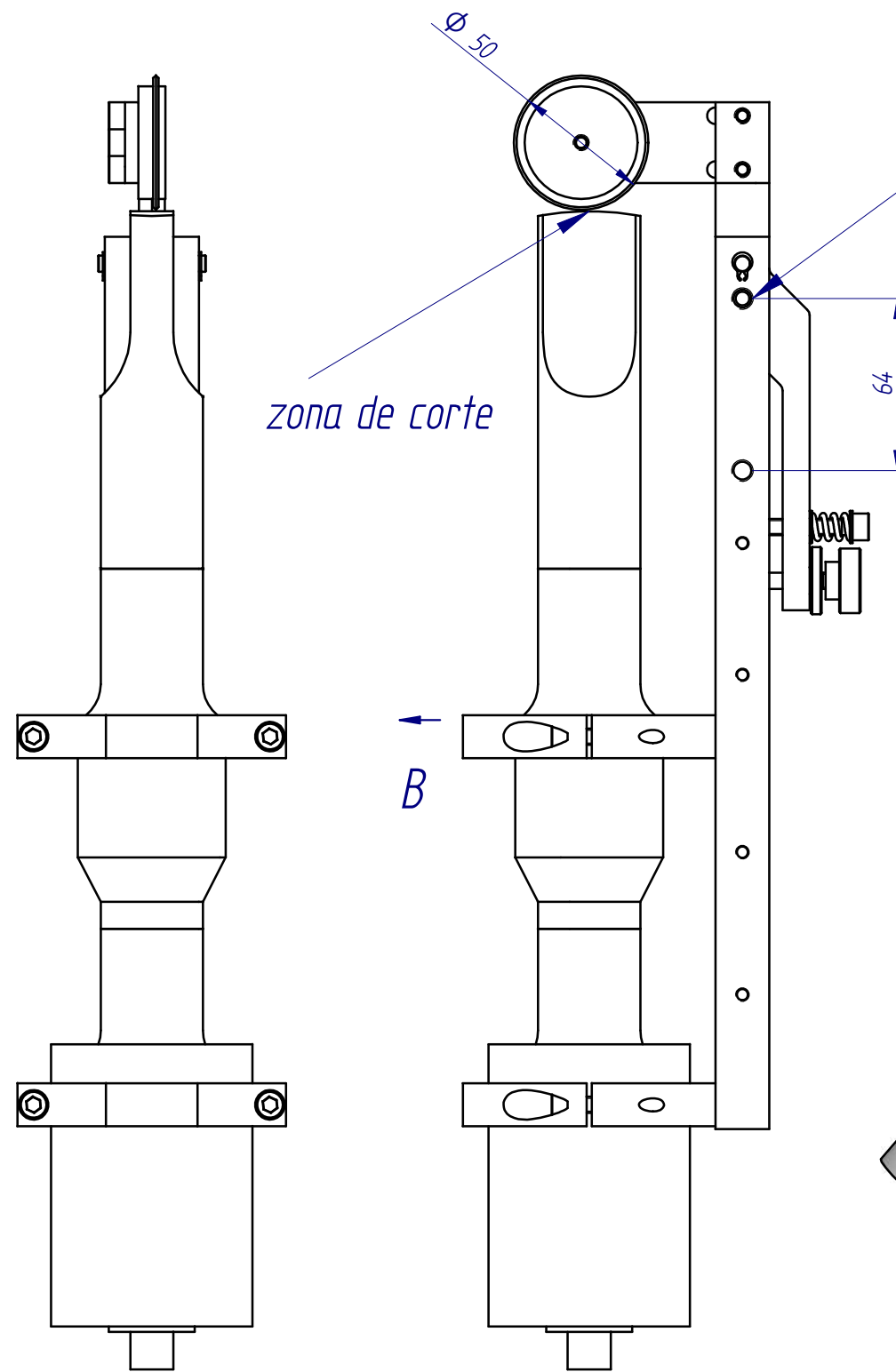
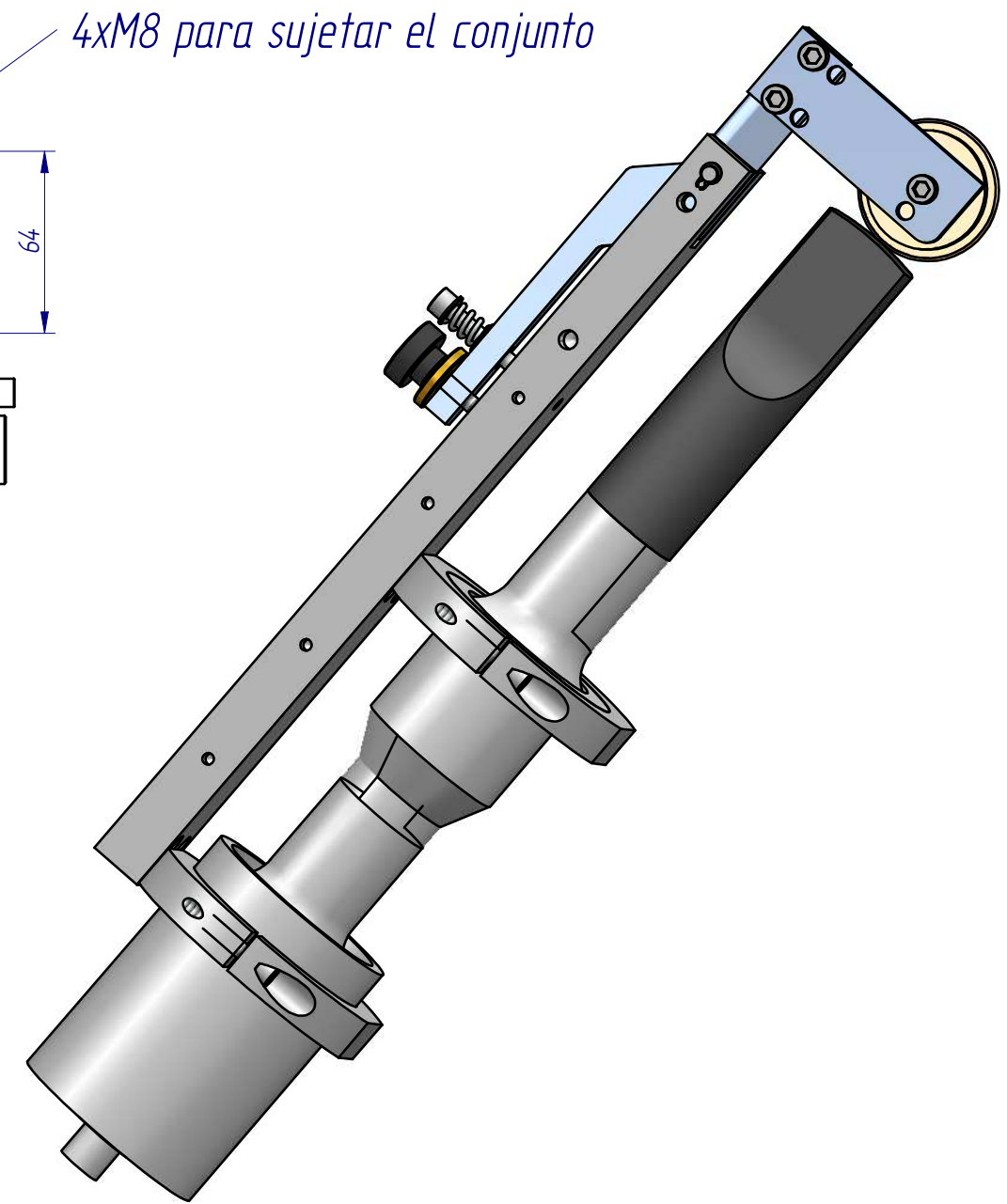

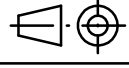


VISTA A



VISTA B



	drawn: Joan	date: 7/04/22		material:
	approved:	scale: Escala		process 1:
drawing no.: 3524-2	version:	project:	sheet 1 of 1	process 2:
3D author: Xavi	date: 26/02/20	title: Cortador de ultrasonidos 20khz sin carcasa de refrigeración		